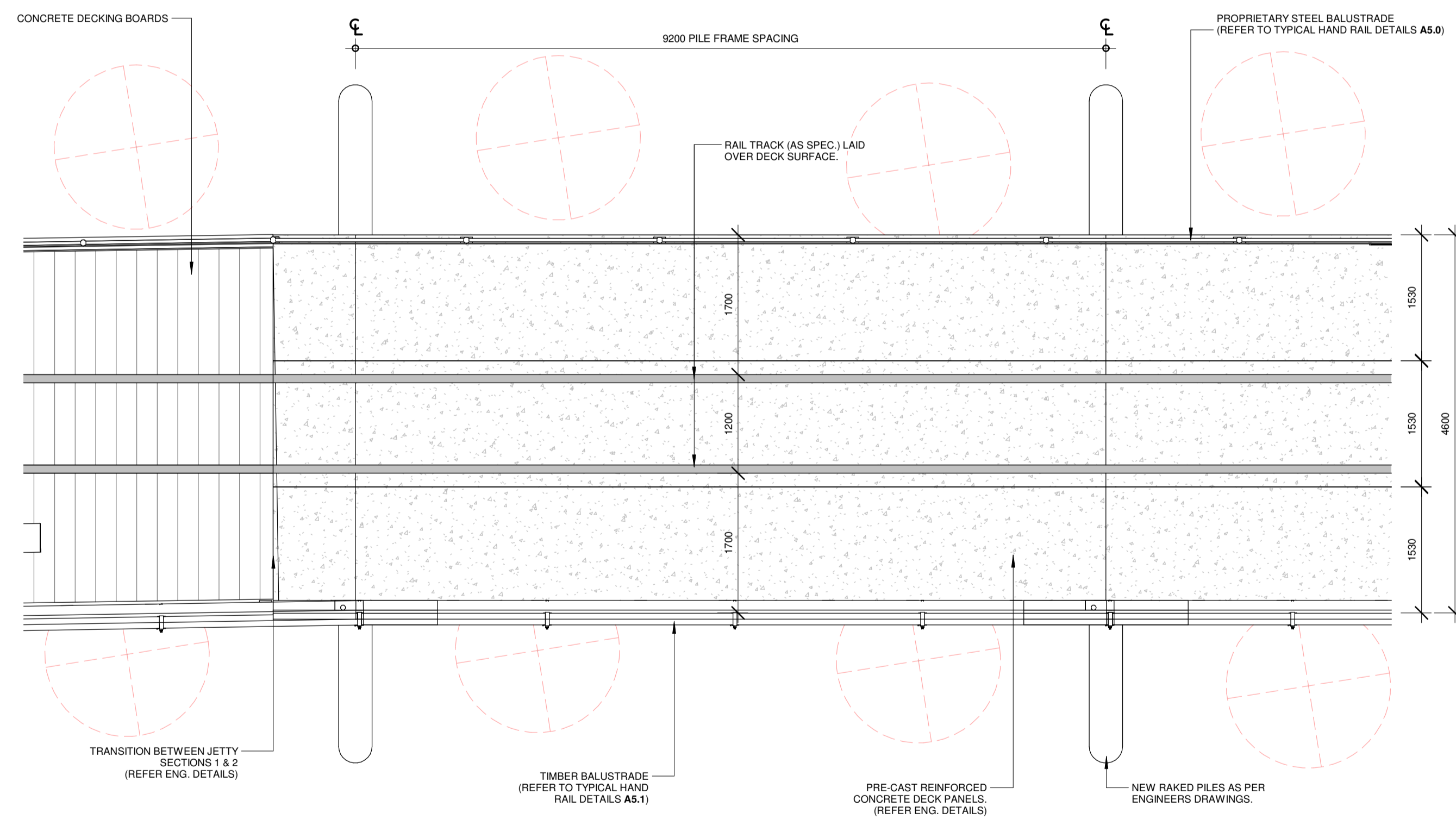
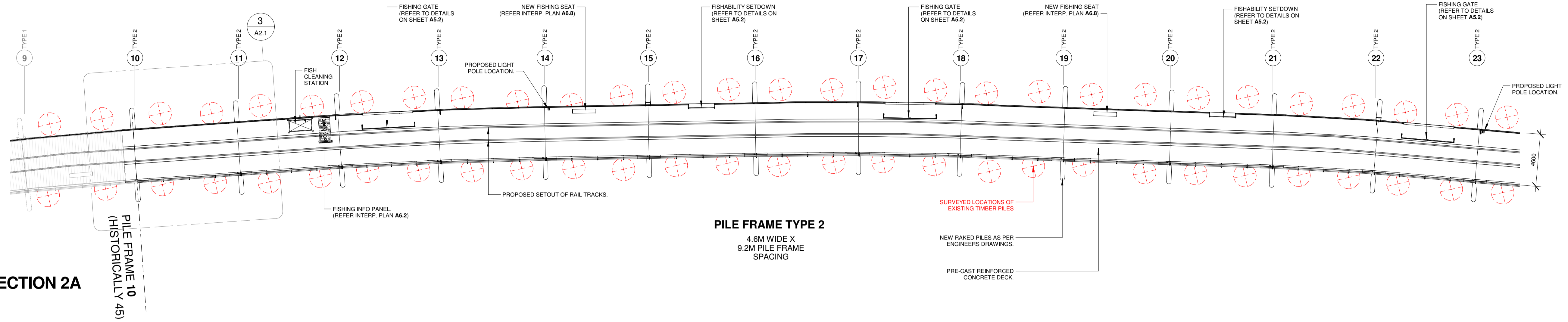
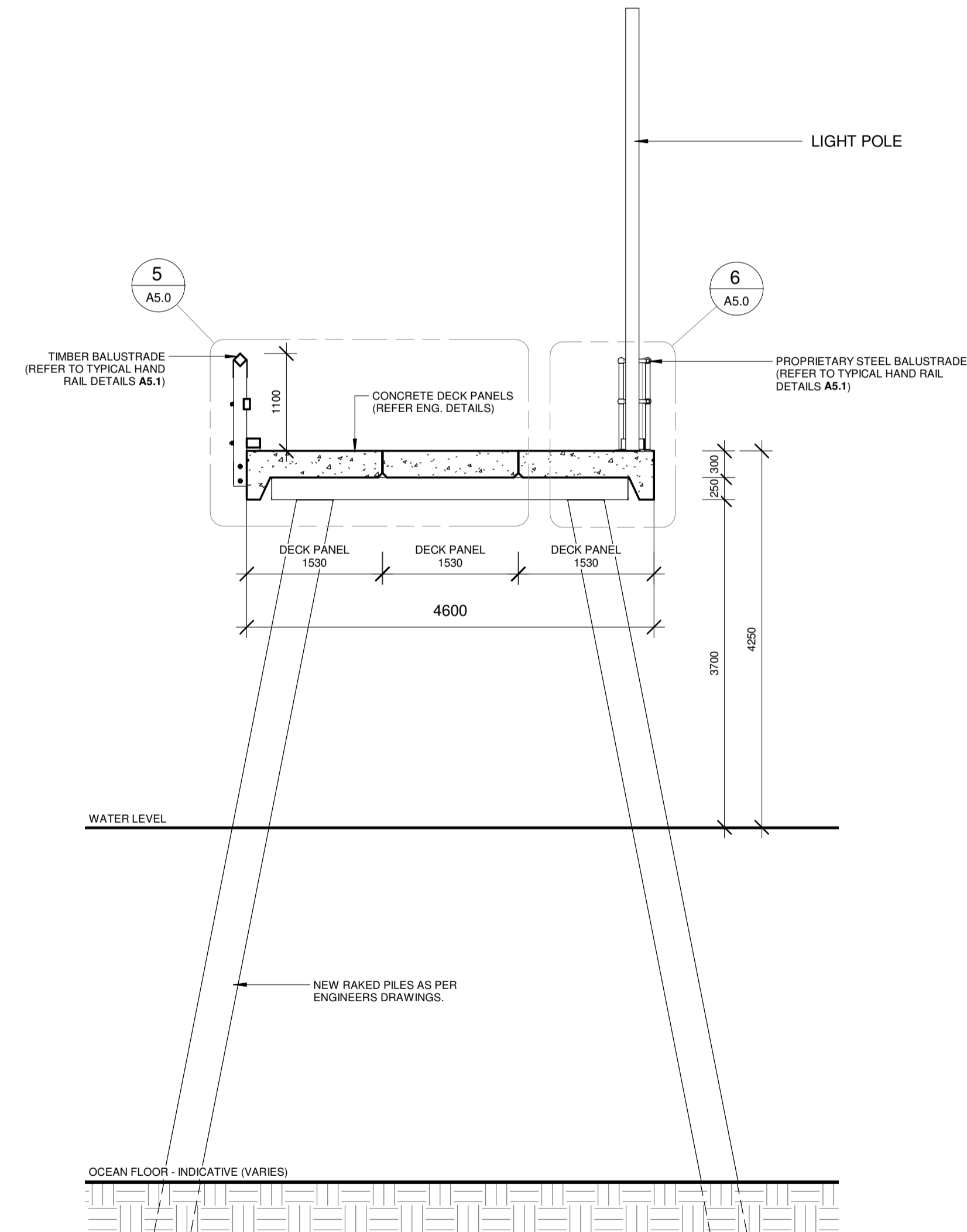


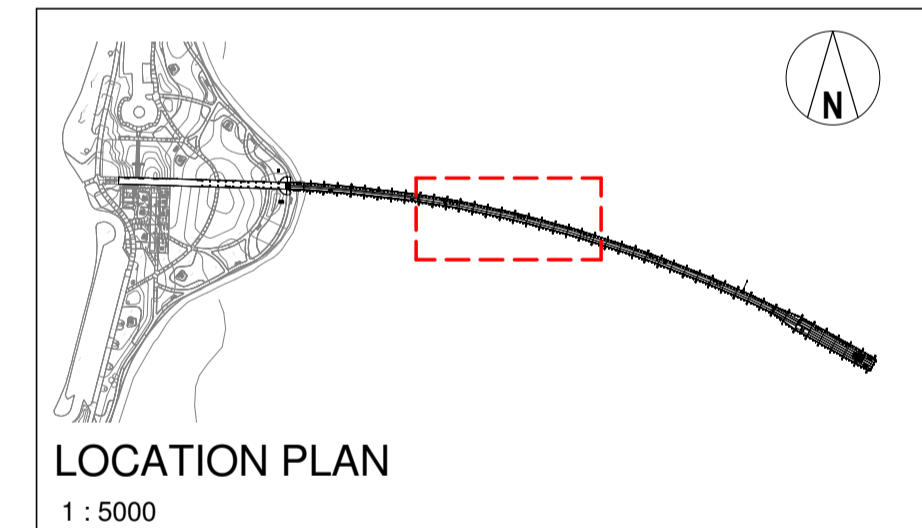
JETTY - SECTION 2A
1 : 200 @ A1



3 CALLOUT - JETTY SECTION 2
A2.1 1 : 50



2 TYPICAL CROSS SECTION THROUGH PILE FRAME TYPE 2
A2.2 1 : 50



LOCATION PLAN
1 : 5000

NOT FOR CONSTRUCTION

No.	AMENDMENT	DATE	CHKD
A	DRAFT DETAILED DESIGN	29.04.2019	

58 SERPENTINE RD, ALBANY WA 6330
PO BOX 5427, ALBANY WA 6332
ADMIN@HHARCHITECTS.COM.AU
WWW.HHARCHITECTS.COM.AU
08 9842 5558

ESPERANCE TANKER JETTY

ESPERANCE, WA

DRAWN	PG	SCALE	As indicated	@A1	DRAWING
CHECKED	JD	DATE	29/04/2019	5:38:46 PM	JETTY SECTION TYPE 2A
APPROVED	Approver	PROJECT No.	8118-18	DRAWING No.	REVISION

ARCHITECTURAL A2.1 A