



## Shire of Esperance Public Cemeteries Application for Approval to Erect Monument

- Esperance Cemetery  
 Salmon Gums Cemetery

Date of Application: \_\_\_\_ / \_\_\_\_ / \_\_\_\_

Grave Number: \_\_\_\_\_

### Details of the Applicant

Surname: \_\_\_\_\_  
First Name: \_\_\_\_\_  
Residential Address: \_\_\_\_\_  
Postal Address: \_\_\_\_\_  
Phone Number: \_\_\_\_\_

### Details of the Deceased

Surname of Deceased: \_\_\_\_\_  
Other Names of Deceased: \_\_\_\_\_

I hereby certify that I am authorised as – *(please tick as appropriate)*

- the person whose name the Grant of Right of Burial was issued;  
 the personal representative of the holder of the grant;  
 the person acting expressly on behalf of the holders personal representative.

For the abovementioned grave, to approve erection of the memorial detailed herein and I accept that the approval issued will be subject to conditions stipulated in the cemeteries act, the grant of right of burial and the local laws and regulations now or hereafter in force.

Signature of Grantee / Applicant \_\_\_\_\_

**Note:** the board is indemnified against any liability attributed to any incorrect statements or information contained in this form

### Details of Mason – This section to be completed by the Monumental Mason

I hereby apply for permission to – *(please tick as appropriate)*

- install a new monument;  
 add further inscription to an existing monument;  
 renovate or add further monumental work to an existing monument.

Name of Firm: \_\_\_\_\_  
Address: \_\_\_\_\_  
Phone Number: \_\_\_\_\_  
Quoted Cost: \_\_\_\_\_ Proposed date for works: \_\_\_\_ / \_\_\_\_ / \_\_\_\_  
Signature of Mason \_\_\_\_\_

### Office Use Only

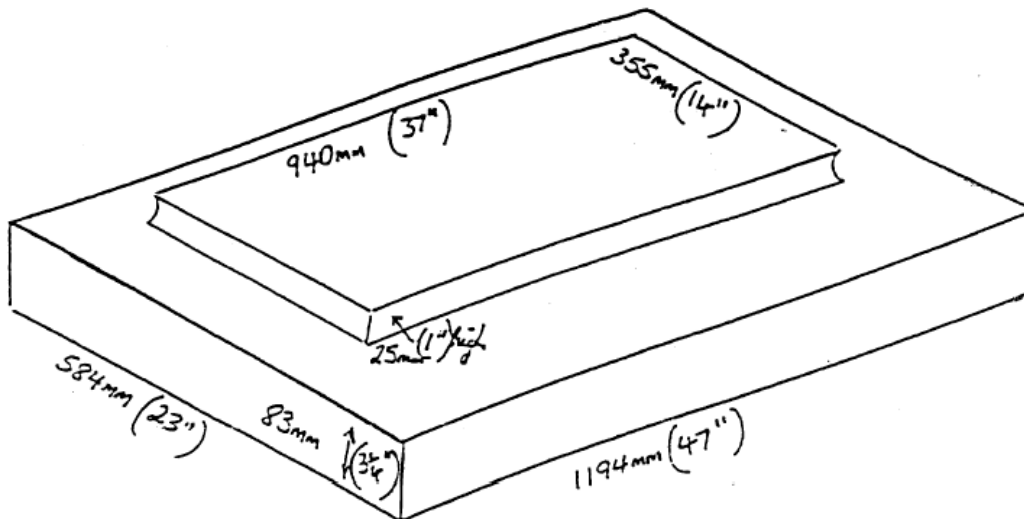
Receipt Number: \_\_\_\_\_ Fee Amount Paid: \$ \_\_\_\_\_  
Authorised: \_\_\_\_\_  
Date: \_\_\_\_\_

## Shire of Esperance Public Cemeteries Memorial and Headstone Specifications

### Monuments within the Lawn Section

Under current by-laws all monuments in the Lawn Section must be made of natural stone and placed upon a base of natural stone and comply with certain specifications.

- The use of wood is not permitted.
- Size Requirements - A monument must not exceed 1 (one) meter in height and must not exceed the inside dimensions of the concrete plinth shown on the sketch below. The plinth base is 584mm (w) x 1194mm (l) x 83mm (h) and the inside base 355mm (w) x 940mm (l) x 25mm (h) – See diagram below
- A bronze memorial plaque may be attached to the monument. When the monument is placed on the plinth, the wording is to face the plot.
- All plans and specifications of memorials submitted must be carefully drawn and fully dimensioned and all materials specified. All descriptions are to be in block letters. All ornaments etc are to be shown and dimensioned. Size of all dowels and dowel holes are to be specified.



### Rose Garden of Remembrance

- The standard plaque size is 178mm wide x 102mm high and shall be made of admiralty bronze
- Duel Plots (side by side) may allow a double plaque size being 385mm wide x 117mm high

### Niche Wall

- The standard plaque size for the wall is 229mm wide X 184mm high and shall be made of admiralty bronze

### Perinatal, Infant, Child section

- The standard plinth size is 330mm x 330mm square
- The plaque must fit within the plinth size. 4 standard plaques are available to choose from – heart, oval, teddy bear and koala. Plaque is to be made of admiralty bronze.